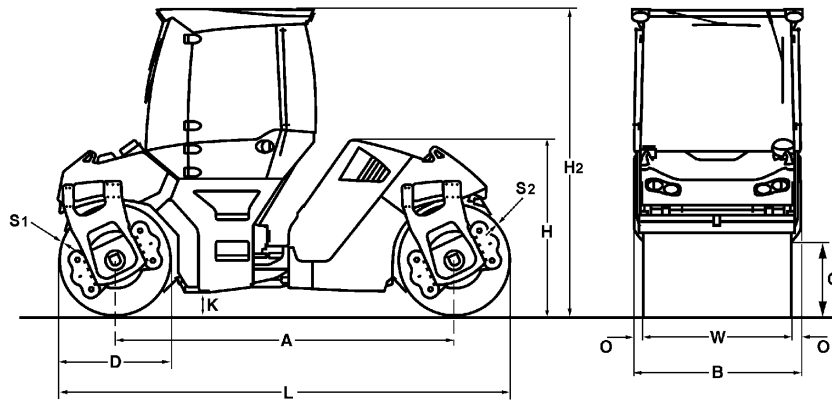


# TECHNICAL DATA

BOMAG OSZILLATION

BW 161 ADO-5, BW 190 ADO-5, BW 202 ADO-5





**Dimensions in mm**

	A	B	C	D	H	H2	K	L	O	S1	S2	W
<b>BW 161 ADO-5</b>	3620	1836	670	1220	2315	3050	250	4840	78	17	20	1680
<b>BW 190 ADO-5</b>	3620	2146	670	1220	2315	3050	250	4840	78	19	20	1990
<b>BW 202 ADO-5</b>	3620	2291	670	1220	2315	3050	250	4840	78	19	20	2135

**Shipping dimensions in m3**

**BW 161 ADO-5**  
**BW 190 ADO-5**  
**BW 202 ADO-5**

**without ROPS**

20,572  
 24,045  
 25,670

**with ROPS**

27,103  
 31,679  
 33,820

Machine type	Compaction output (m3/h) at recommended soil layer thicknesses		
	Gravel, sand	Mixed soil	Silt, clay
BW 161 ADO-5	150-320	135-260	100-220
BW 190 ADO-5	260-500	180-360	140-220
BW 202 ADO-5	280-550	200-400	150-250

Machine type	Compaction output (t/h) at different asphalt layer thicknesses		
	2-4 cm	6-8 cm	10-14 cm
BW 161 ADO-5	50-100	100-200	150-230
BW 190 ADO-5	70-120	120-230	190-300
BW 202 ADO-5	80-160	130-270	200-340

**Technical Data****BOMAG  
BW 161 ADO-5****BOMAG  
BW 190 ADO-5****BOMAG  
BW 202 ADO-5****Weights**

Operating weight CECE w. cab. ....	kg	9.900	11.800	11.950
Axle load, front CECE .....	kg	5.100	6.200	6.350
Axle load, rear CECE .....	kg	4.800	5.600	5.600
Static linear load, front CECE .....	kg/cm	30,4	31,0	29,7
Static linear load, rear CECE .....	kg/cm	28,6	28,1	26,2
Grossweight .....	kg	10.900	13.000	13.300

**Dimensions**

Track radius, inner .....	mm	4.900	4.745	4.673
---------------------------	----	-------	-------	-------

**Driving Characteristics**

Max. travel speed .....	km/h	0- 12,0	0- 15,0	0- 12,0
Max. gradeability without/with vibr. ...	%	35/30	35/30	35/30

**Drive**

Engine manufacturer .....		Deutz	Deutz	Deutz
Type .....		TCD 3.6 L4	TCD 3.6 L4	TCD 3.6 L4
Emission stage .....		StageV / TIER4f	StageV / TIER4f	StageV / TIER4f
Exhaust gas aftertreatment .....		DPF+SCR	DPF+SCR	DPF+SCR
Cooling .....		Liquid	Liquid	Liquid
Number of cylinders .....		4	4	4
Performance ISO 14396 .....	kW	95,0	95,0	95,0
Performance SAE J 1995 .....	hp	127,0	127,0	127,0
Speed .....	min-1	2.300	2.300	2.300
Electric equipment .....	V	12	12	12

**Brakes**

Service brake .....		hydrost.	hydrost.	hydrost.
Parking brake .....		multi disc	multi disc	multi disc

**Steering**

Steering system .....		oscil.artic.	oscil.artic.	oscil.artic.
-----------------------	--	--------------	--------------	--------------

**Exciter system**

Vibrating drum .....		front	front	front
Autom. vibr. shut off .....		standard	standard	standard
Frequency .....	Hz	40/53	40/55	40/55
Amplitude .....	mm	0,87/0,44	0,90/0,34	0,84/0,31
Centrifugal force .....	kN	95/90	126/88	126/88
Centrifugal force .....	t	9,7/9,2	12,8/9,0	12,8/9,0
Oscillating drum .....		rear	rear	rear
O. Frequency .....	Hz	40	40	40
O. Amplitude .....	mm	1,03	1,01	1,02

**Capacities**

Fuel .....	l	145,0	145,0	145,0
Water .....	l	750,0	750,0	750,0

Technical modifications reserved. Machines may be shown with options.

### Standard Equipment

- Front drum vibration: 2 amplitudes / 2 frequencies
- TanGO Rear drum Oscillation: 1 Amplitude/ 1 Frequency
- Highly wear resistant oscillation drum
- ECOMODE
- Autom. vibration operation
- Vibration and oscillation individually switchable
- Driver's seat, slewable
  - laterally slidable with steering wheel
- Emergency stop button
- On-board computer
  - engine speed
  - Speedometer
  - Fuel consumption
  - Engine temperature
- V-belt protection
- Pressure sprinkling system with 2 pumps
- Indicator and hazard lights
- Back-up alarm
- Battery disconnect switch
- Compartments for documents and tools

### Optional Equipment

- ROPS cabin with seat belts
  - + heating, Ventilation
  - + 4 Working head lights
- ROPS cabin with air conditioning
- Rotary beacon
- Crab-walk to both sides (170mm)
- 2 LED-lights for cabin roof (flatbeam)
- Edge cutter
- Special painting
- Environmentally compliant hydraulic oil
- Radio/Radio preparation
- ROPS/FOPS with safety belt
- Precision spreader BS180 laterally slidable
- Precision spreader BS180
- Asphalt temperature display
- Lighting for drum edge front and rear
- Seat heating
- Frequency
  - 67Hz(BW161),70Hz(BW190/202)
- Approval by the German TÜV
- BOMAG TELEMATIC POWER
- Outside mirrors
- ECONOMIZER
- BOMAP compaction navigation with GPS

