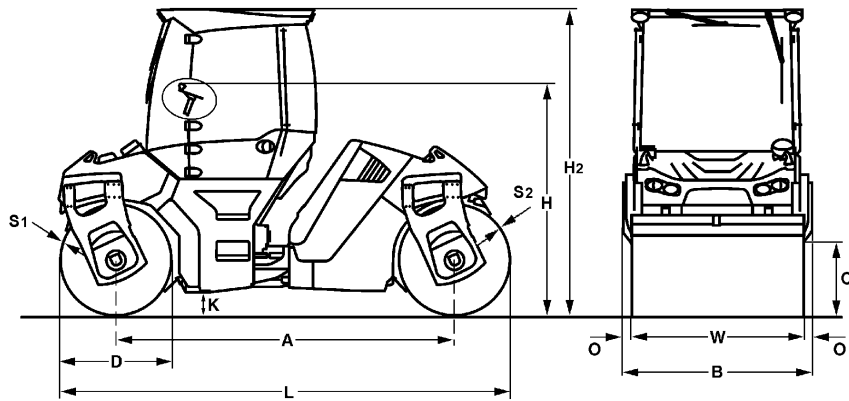


TECHNICAL DATA

BOMAG OSZILLATION

BW 191 ADO-5, BW 206 ADO-5





Dimensions in mm

	A	B	C	D	H	H2	K	L	O	S1	S2	W
BW 191 ADO-5	3900	2178	760	1400	2364	3093	250	5300	89	19	20	2000
BW 206 ADO-5	3900	2313	760	1400	2364	3093	250	5300	89	19	20	2135

Shipping dimensions in m3

BW 191 ADO-5
BW 206 ADO-5

without ROPS

27,289
 28,980

with ROPS

35,704
 37,917

Machine type	Compaction output (m3/h) at recommended soil layer thicknesses		
	Gravel, sand	Mixed soil	Silt, clay
BW 191 ADO-5	260-500	180-360	140-220
BW 206 ADO-5	280-550	200-400	150-250

Machine type	Compaction output (t/h) at different asphalt layer thicknesses		
	2-4 cm	6-8 cm	10-14 cm
BW 191 ADO-5	70-120	120-230	190-300
BW 206 ADO-5	80-160	130-270	200-340

Technical Data**BOMAG
BW 191 ADO-5****BOMAG
BW 206 ADO-5****Weights**

Operating weight CECE w. cab.	kg	13.300	13.700
Axle load, front CECE	kg	6.650	6.950
Axle load, rear CECE	kg	6.750	6.750
Static linear load, front CECE	kg/cm	33,3	32,6
Static linear load, rear CECE	kg/cm	33,8	31,6
Grossweight	kg	14.600	16.000

Dimensions

Track radius, inner	mm	5.190	5.117
---------------------------	----	-------	-------

Driving Characteristics

Max. travel speed	km/h	0- 12,0	0- 12,0
-------------------------	------	---------	---------

Drive

Engine manufacturer		Deutz	Deutz
Type		TCD 4.1 L04	TCD 4.1 L04
Emission stage		Stage V / TIER4f	Stage V / TIER4f
Exhaust gas aftertreatment		DPF+SCR	DPF+SCR
Cooling		Liquid	Liquid
Number of cylinders		4	4
Performance ISO 14396	kW	105,0	105,0
Performance SAE J 1995	hp	141,0	141,0
Speed	min-1	2.300	2.300
Electric equipment	V	12	12

Brakes

Service brake		hydrost.	hydrost.
Parking brake		multi disc	multi disc

Steering

Steering system		oscil.artic.	oscil.artic.
-----------------------	--	--------------	--------------

Exciter system

Vibrating drum		front + rear	front + rear
Autom. vibr. shut off		standard	standard
Frequency	Hz	40/50	40/50
Amplitude	mm	0,94/0,44	0,94/0,44
Centrifugal force	kN	129/95	129/95
Centrifugal force	t	13,1/9,7	13,1/9,7
Oscillating drum		rear	rear
O. Frequency	Hz	40	40
O. Amplitude	mm	1,04	1,03

Capacities

Fuel	l	165,0	165,0
Water	l	970,0	970,0

Technical modifications reserved. Machines may be shown with options.

Standard Equipment

- Front drum vibration: 2 amplitudes / 2 frequencies
- TanGO Rear drum Oscillation: 1 Amplitude/ 1 Frequency
- Highly wear resistant oscillation drum
- ECOMODE
- Autom. vibration operation
- Vibration and oscillation individually switchable
- Driver's seat, slewable
 - laterally slidable with steering wheel
- Emergency stop button
- On-board computer
 - engine speed
 - Speedometer
 - Fuel consumption
 - Engine temperature
- V-belt protection
- Pressure sprinkling system with 2 pumps
- Indicator and hazard lights
- Back-up alarm
- Battery disconnect switch
- Compartments for documents and tools

Optional Equipment

- ROPS cabin with seat belts
 - + heating, Ventilation
 - + 4 Working head lights
- ROPS cabin with air conditioning
- Rotary beacon
- Crab-walk to both sides (170mm)
- 2 LED-lights for cabin roof (flatbeam)
- Edge cutter
- Special painting
- Environmentally compliant hydraulic oil
- Radio/Radio preparation
- ROPS/FOPS with safety belt
- Asphalt temperature display
- Lighting for drum edge front and rear
- Seat heating
- Frequency 70Hz
- Approval by the German TÜV
- BOMAG TELEMATIC POWER
- Outside mirrors
- ECONOMIZER
- BOMAP compaction navigation with GPS

